



OPERATOR'S MANUAL



Model 820 Series Shown

**Model Series
810 thru 829**



IMPORTANT: READ SAFETY RULES AND INSTRUCTIONS CAREFULLY

Warning: This unit is equipped with an internal combustion engine and should not be used on or near any unimproved forest-covered, brush-covered or grass-covered land unless the engine's exhaust system is equipped with a spark arrester meeting applicable local or state laws (if any). If a spark arrester is used, it should be maintained in effective working order by the operator. In the State of California the above is required by law (Section 4442 of the California Public Resources Code). Other states may have similar laws. Federal laws apply on federal lands. A spark arrester for the muffler is available through your nearest engine authorized service dealer or contact the service department, P.O. Box 368022 Cleveland, Ohio 44136-9722.

MTD PRODUCTS INC. P.O. BOX 368022 CLEVELAND, OHIO 44136-9722

TABLE OF CONTENTS

Content	Page
Maintaining Safety	3
Slope Gauge.....	6
Assembling Your Lawn Mower.....	7
Know Your Lawn Mower	8
Operating Your Lawn Mower	9
Making Adjustments	11
Maintaining Your Lawn Mower.....	12
Troubleshooting.....	15
Parts List.....	16

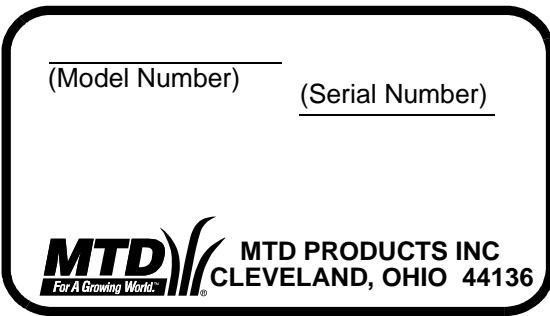
FINDING MODEL NUMBER

This Operator's Manual is an important part of your new lawn mower. It will help you assemble, prepare and maintain the unit for best performance. Please read and understand what it says.



Before you start assembling your new equipment, please locate the model plate on the equipment and copy the information from it in the space provided below. The information on the model plate is very important if you need help from our Customer Support Department or an authorized dealer.

- You can locate the model number by looking down at the rear of the deck. A sample model plate is explained below. For future reference, please copy the model number and the serial number of the equipment in the space below.



Copy the model number here: _____

Copy the serial number here: _____

CALLING CUSTOMER SUPPORT

If you have difficulty assembling this product or have any questions regarding the controls, operation or maintenance of this unit, please call the Customer Support Department.



Call **1- (330) 220-4MTD (4683)** or **1- (800)-800-7310** to reach a Customer Support representative. Please have your unit's model number and serial number ready when you call. See previous section to locate this information. You will be asked to enter the serial number in order to process your call.

For more details about proper lawn care, visit our website at www.mtdproducts.com

SECTION 1: MAINTAINING SAFETY



This Warning symbol points out important safety instructions which, if not followed, could endanger the personal safety and/or property of yourself and others. Read and follow all instructions in this manual before attempting to operate your lawn mower. Failure to comply with these instructions may result in personal injury. When you see this symbol, heed its warning.

DANGER: Your lawn mower was built to be operated according to the rules for safe operation in this manual. As with any type of power equipment, carelessness or error on the part of the operator can result in serious injury. This lawn mower is capable of amputating hands and feet and throwing objects. Failure to observe the following safety instructions could result in serious injury or death.

WARNING: The Engine Exhaust from this product contains chemicals known to the State of California to cause cancer, birth defects or other reproductive harm.

GENERAL OPERATION

- Read this operator's manual carefully in its entirety before attempting to assemble this machine. Read, understand, and follow all instructions on the machine and in the manual(s) before operation. Be completely familiar with the controls and the proper use of this machine before operating it. Keep this manual in a safe place for future and regular reference and for ordering replacement parts.
- Your rotary mower is a precision piece of power equipment, not a plaything. Therefore, exercise extreme caution at all times. Your unit has been designed to perform one job: to mow grass. Do not use it for any other purpose.
- Never allow children under 14 years old to operate a power mower. Children 14 years old and over should only operate mower under close parental supervision. Only responsible individuals who are familiar with these rules of safe operation should be allowed to use your mower.
- Keep the area of operation clear of all persons, particularly small children and pets. Stop engine when they are in the vicinity of your mower to help prevent blade contact or thrown object injury. Although the area of operation should be completely cleared of foreign objects, an object may have been overlooked and could be accidentally thrown by the mower in any direction and cause serious personal injury to the operator or any others allowed in the area.
- Wear sturdy, rough-soled work shoes and close-fitting slacks and shirts. Shirts and pants that cover the arms and legs and steel-toed shoes are recommended. Do not wear loose fitting clothes or jewelry. They can be caught in moving parts. Never operate a unit in bare feet, sandals, slippery or light weight (e.g. canvas) shoes.
- Always wear safety glasses or safety goggles during operation or while performing an adjustment or repair, to protect eyes from foreign objects that may be thrown from the machine in any direction.
- Thoroughly inspect the area where the equipment is to be used. Remove all stones, sticks, wire, bones, toys and other foreign objects which could be picked up and thrown by the mower in any direction and cause serious personal injury to the operator or any others allowed in the area. Plan your mowing pattern to avoid discharge of material toward roads, sidewalks, bystanders and the like. To help avoid a thrown objects injury, keep children, bystanders and helpers at least 75 feet from the mower while it is in operation.
- Do not put hands or feet near or under rotating parts. Keep clear of discharge opening at all times as the rotating blade can cause injury.
- Many injuries occur as a result of the mower being pulled over the foot during a fall. Do not hang on to the mower if you are falling; release the handle immediately.
- Never pull the mower toward you while you are walking. If you must back the mower away from a wall or obstruction first look down and behind, and then follow these steps:
 - Step back from the mower to fully extend your arms.
 - Be sure you are well balanced with sure footing.
 - Pull the mower back slowly, no more than half way toward you.
 - Repeat these steps as needed.
- Do not operate the mower while under the influence of alcohol or drugs.
- Do not engage the self-propelled mechanism on units so equipped while starting engine.
- The blade control handle is a safety device. Never attempt to bypass its operation. Doing so makes the safety device inoperative and may result in personal injury through contact with the rotating blade. The blade control handle must operate easily in both directions and automatically return to the disengaged position when released.

- Never operate the mower in wet grass. Always be sure of your footing. A slip and fall can cause serious personal injury. Keep a firm hold on the handle and walk, never run. If you feel you are losing your footing, RELEASE THE BLADE CONTROL HANDLE IMMEDIATELY and the blade will stop rotating within three seconds.
- Mow only in daylight or good artificial light.
- Stop the blade when crossing gravel drives, walks or roads.
- If the equipment should start to vibrate abnormally, stop the engine and check immediately for the cause. Vibration is generally a warning of trouble.
- Shut the engine off and wait until the blade comes to a complete stop before removing the grass catcher or unclogging the chute. The cutting blade continues to rotate for a few seconds after the engine is shut off. Never place any part of the body in the blade area until you are sure the blade has stopped rotating.
- Never operate mower without proper guards, grass catcher, plates or other safety protective devices in place.
- Muffler and engine become hot and can cause a burn. Do not touch.
- Only use accessories approved for this machine by the manufacturer. Read, understand, and follow all instructions provided with the approved accessory.
- If situations occur which are not covered in this manual, use care and good judgment. Contact your dealer for assistance. Telephone 1-800-800-7310 for the name of your nearest dealer.

SLOPE OPERATION

For your safety, use the slope gauge included as part of this manual to measure slopes before operating this unit on a sloped or hilly area. If the slope is greater than 15 degrees as shown on the slope gauge, do not operate this unit on that area or serious injury could result.

DO:

- Mow across the face of slopes; never up and down. Exercise extreme caution when changing direction on slopes.
- Watch for holes, ruts, hidden objects, or bumps. Tall grass can hide obstacles.
- Always be sure of your footing. A slip and fall can cause serious personal injury. If you feel you are losing your balance release the blade control handle immediately and the blade will stop in less than 3 seconds.

DO NOT:

- Do not mow near drop-offs, ditches or embankments. The operator could lose footing or balance.
- Do not mow slopes greater than 15 degrees as shown on the slope gauge.

- Do not mow on wet grass. Reduced footing could cause slipping.

CHILDREN

Tragic accidents can occur if the operator is not alert to the presence of children. Children are often attracted to the mower and the mowing activity. Never assume that children will remain where you last saw them.

- Keep children out of the mowing area and under the watchful care of a responsible adult other than the operator.
- Be alert and turn mower off if a child enters the area.
- Before and while moving backwards, look behind and down for small children or other objects.
- Never allow children under age 14 to operate the mower. Children 14 years of age and above should read and understand the operation instructions and safety rules in this manual.
- Use extreme care when approaching blind corners, shrubs, trees, or other objects that may obscure your vision of a child or hazard.

SERVICE

- Use extreme care in handling gasoline and other fuels. They are extremely flammable and the vapors are explosive.
- Use only an approved gasoline container.
- Never remove gas cap or add fuel while the engine is running. Allow engine to cool at least two minutes before refueling.
- Replace gasoline cap securely and wipe off any spilled gasoline before starting the engine as it may cause a fire or explosion.
- Extinguish all cigarettes, cigars, pipes and other sources of ignition.
- Never refuel machine indoors because flammable vapors will accumulate in the area.
- Never store the machine or fuel container inside where there is an open flame or spark such as a gas water heater, space heater, or furnace.
- Never run an engine inside a closed area.
- To reduce fire hazard, keep mower free of grass, leaves, or other debris build-up. Clean up oil or fuel spillage. Allow mower to cool at least 5 minutes before storing.
- Before cleaning, repairing, or inspecting, make certain the blade and all moving parts have stopped. Disconnect the spark plug wire, and keep the wire away from the spark plug to prevent accidental starting.
- Check the blade and engine mounting bolts at frequent intervals for proper tightness. Also, visually inspect blade for damage (e.g., bent, cracked or worn). Replace with blade which meets original equipment specifications listed in this manual.

- Keep all nuts, bolts, and screws tight to be sure the equipment is in safe working condition.
- Never tamper with safety devices. Check their proper operation regularly.
- After striking a foreign object, stop the engine, remove the wire from the spark plug, and thoroughly inspect the mower for any damage. Repair the damage before starting and operating the mower.
- Never attempt to make a wheel or cutting height adjustment while the engine is running.
- Grass catcher components are subject to wear, damage and deterioration, which could expose moving parts or allow objects to be thrown. For safety protection, frequently check components and replace with manufacturer's recommended parts, when necessary.
- Mower blades are sharp and can cut. Wrap the blade(s) or wear gloves, and use extra caution when servicing them.
- Do not change the engine governor setting or overspeed the engine. Excessive engine speeds are dangerous.



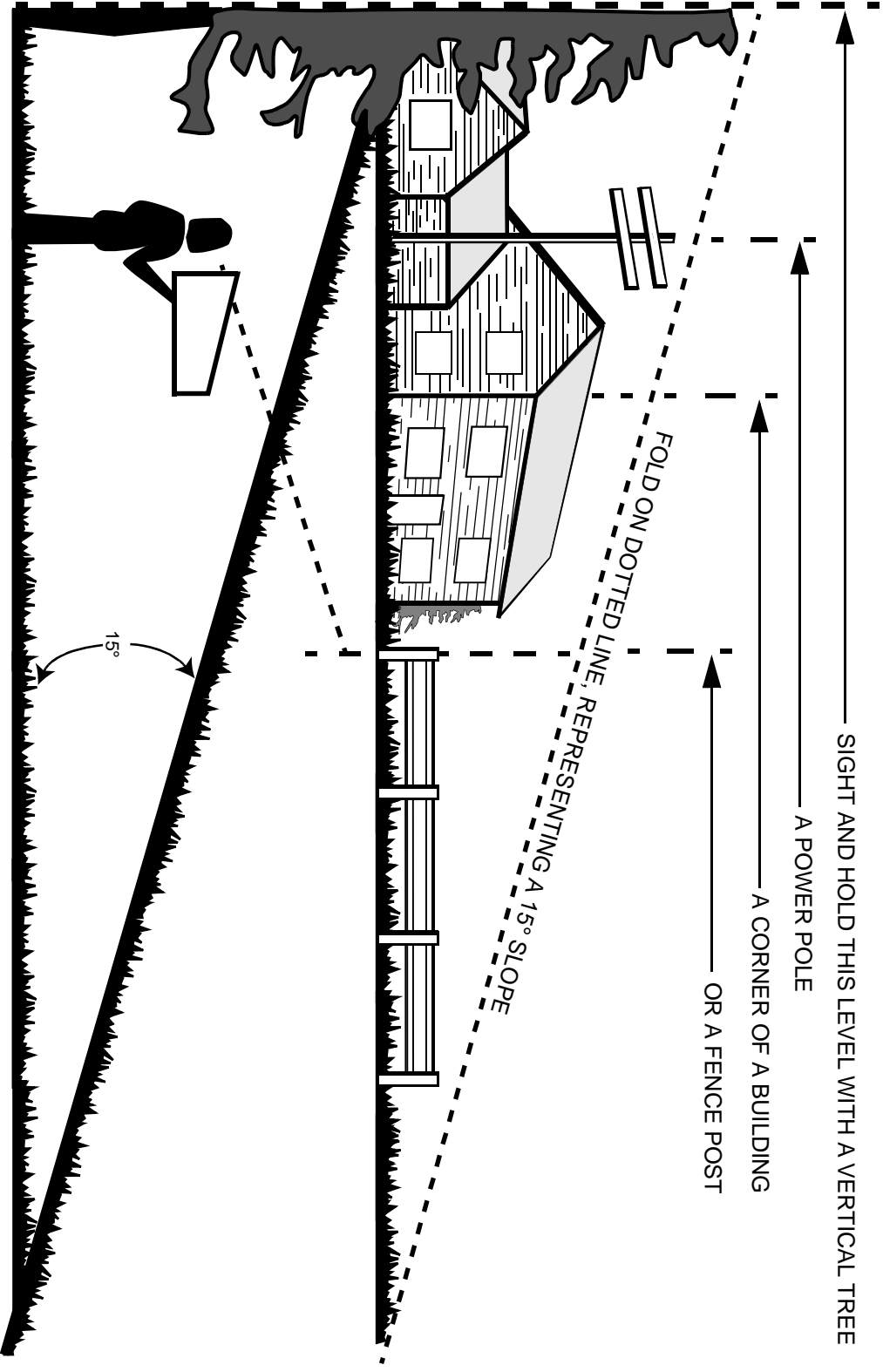
WARNING - YOUR RESPONSIBILITY: Restrict the use of this power machine to persons who read, understand and follow the warnings and instructions in this manual and on the machine.

NOTE: *Not all safety labels shown may apply to your lawn mower.*



SECTION 2: SLOPE GAUGE

Use this page as a guide to determine slopes where you may not operate safely. **Do not operate** your lawn mower on such slopes.



WARNING

Do not mow on inclines with a slope in excess of 15 degrees (a rise of approximately 2-1/2 feet every 10 feet). A riding mower could overturn and cause serious injury. If operating a walk-behind mower on such a slope, it is extremely difficult to maintain your footing and you could slip, resulting in serious injury. Operate RIDING mowers up and down slopes, never across the face of slopes. Operate WALK-BEHIND mowers across the face of slopes, never up and down slopes.

SECTION 3: ASSEMBLING YOUR LAWN MOWER

IMPORTANT: This unit is shipped without gasoline or oil in the engine. Be certain to service engine with gasoline and oil as instructed in the separate engine manual before operating your mower.

NOTE: Reference to right or left hand side of the mower is observed from the operating position.

Removing Unit From Carton

- Remove staples, break glue on top flaps, or cut tape at carton end and peel along top flap to open carton.
- Remove loose parts if included with unit (i.e., operator's manual, oil, etc.)
- Cut along corners, lay carton down flat, and remove packing material.
- Roll or slide unit out of carton and check carton thoroughly for loose parts.

Disconnecting Spark Plug Wire

- Before setting up your lawn mower, disconnect the spark plug wire from the spark plug and ground to a bolt on the engine. See Figure 1.

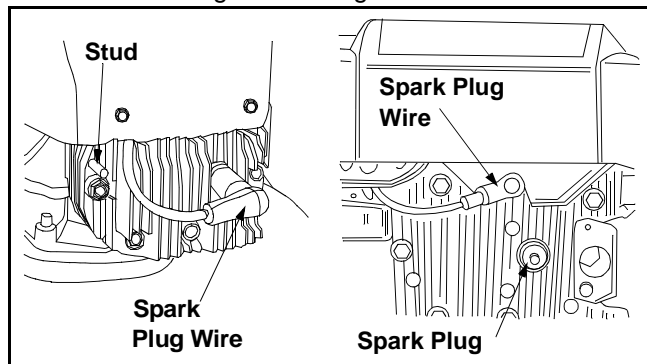


Figure 1

Attaching Handle to Mower

- For shipping purposes, your mower is set with the rear wheels in the lowest cutting position. Raise the rear wheels to the highest setting for assembly of handle.
- Remove the hairpin clips from the outer hole in the weld pins on the handle mounting brackets.
- Lift the handle and attach by placing the bottom holes in the lower handle over the weld pins on the handle mounting brackets. Make sure the lower handle is seated securely into the handle mounting brackets.
- Pull up on the upper handle to raise it into the operating position. Tighten the wing nuts on each side of the handle.

NOTE: Your mower is shipped with the handle in the higher height position. If you wish to lower the height of the handle, refer to the Adjustment Section at this time.

- Secure the handle assembly by placing the hairpin clips in the inner hole on weld pins.
- The rope guide is attached to the right side of upper handle. Loosen the wing nut which secures the rope guide.
- With the spark plug disconnected and grounded, hold the blade control handle against the upper handle and pull the starter rope out of the engine. Release the blade control handle. Slip the starter rope into the rope guide and tighten the wing nut.
- Make certain all nuts and bolts are tightened securely.

Attaching Bag To Mower

- Swing open the chute door on the catcher panel and hold in this position. See Figure 2.

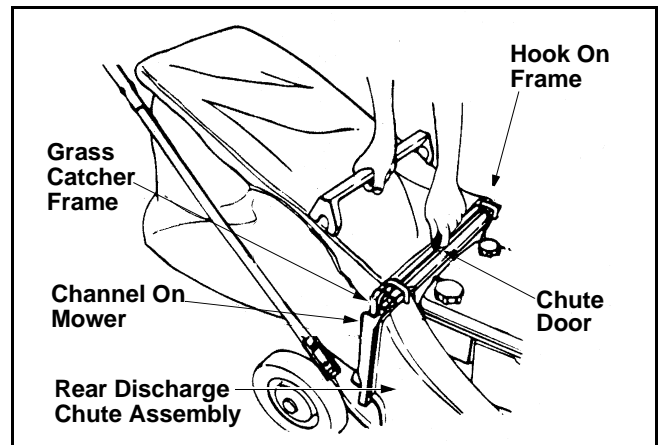


Figure 2

- Slide the frame of the grass catcher down into the channels on each side of the mower. The hooks on the frame go over the panel on the discharge chute.
- To remove the grass catcher, hold the chute door and lift the grass catcher straight up using the handle.

Converting Mower To Side Discharge

- Remove the rear discharge chute assembly by removing two wing nuts. Lift up on the two bottom corners of the discharge chute assembly and slide it off the deck.
- Attach the side chute deflector by first placing it over the rear bolt in the side of the deck. Then slide the notch in the top of the deflector around the shoulder bolt on top of the deck.
- Slide the notch in the side of the deflector around the front bolt in the side of the deck. Secure the front of the chute deflector to the bolt on the side of the deck with one wing nut. See Figure 3.

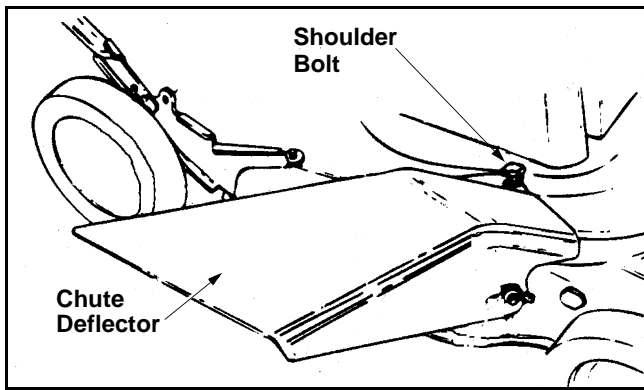


Figure 3

- Secure the back of the chute deflector in the same manner. See Figure 4.

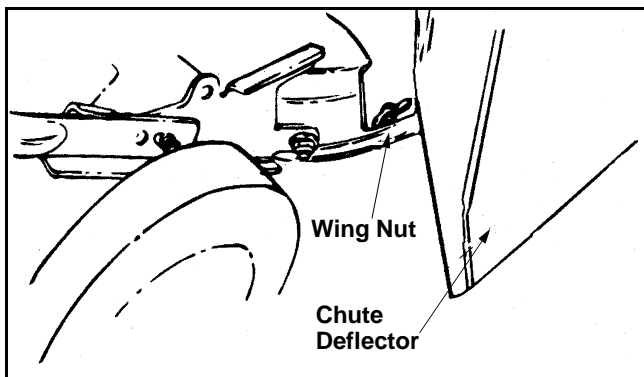


Figure 4



WARNING: Before using your lawn mower, again refer to the Safety Section in this manual. Always be careful.

Converting Mower To A Mulcher

- Remove either the rear discharge chute assembly or the side chute deflector from the mower as previously instructed.
- Attach the mulching plug by first placing it over the rear bolt in the side of the deck. Then slide the notch in the top of the mulching plug around the shoulder bolt on the top of the deck. Slide the notch in the side of the mulching plug around the front bolt in side of the deck and secure using two wing nuts. See Figure 5.

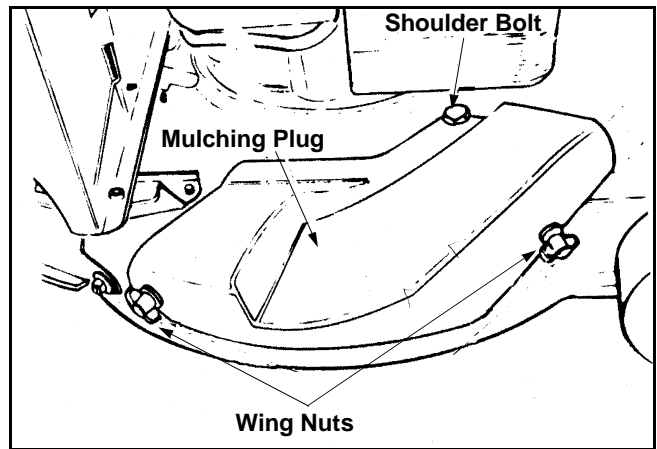


Figure 5

Replacing The Rear Discharge Chute

- Slide the ribs on the discharge chute assembly under the flange on rear panel as you insert the side of the discharge chute under the two tabs. See Figure 6.

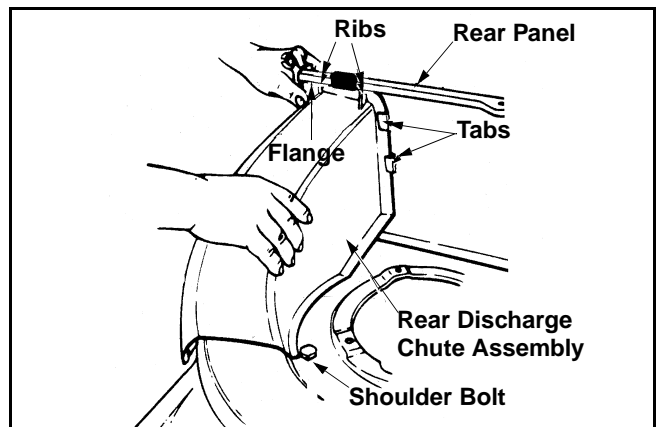


Figure 6

- The edge of the discharge chute assembly goes under the shoulder bolt on deck. Push down on the chute assembly and slide the bottom corner slots over the bolts on side of deck.
- Press down on the discharge chute assembly and secure with wing nuts. Make certain wing nuts are seated properly.

SECTION 4: KNOW YOUR LAWN MOWER

Read this operator's manual and safety rules before operating your lawn mower. Compare the illustrations in Figure 7 with your lawn mower to familiarize yourself with the location of various controls and adjustments. Save this manual for future reference.



WARNING: The operation of any lawn mower can result in foreign objects being thrown into the operator's eyes and causing severe eye damage. Always wear safety glasses while operating the mower, or while performing any adjustments or repairs on it.

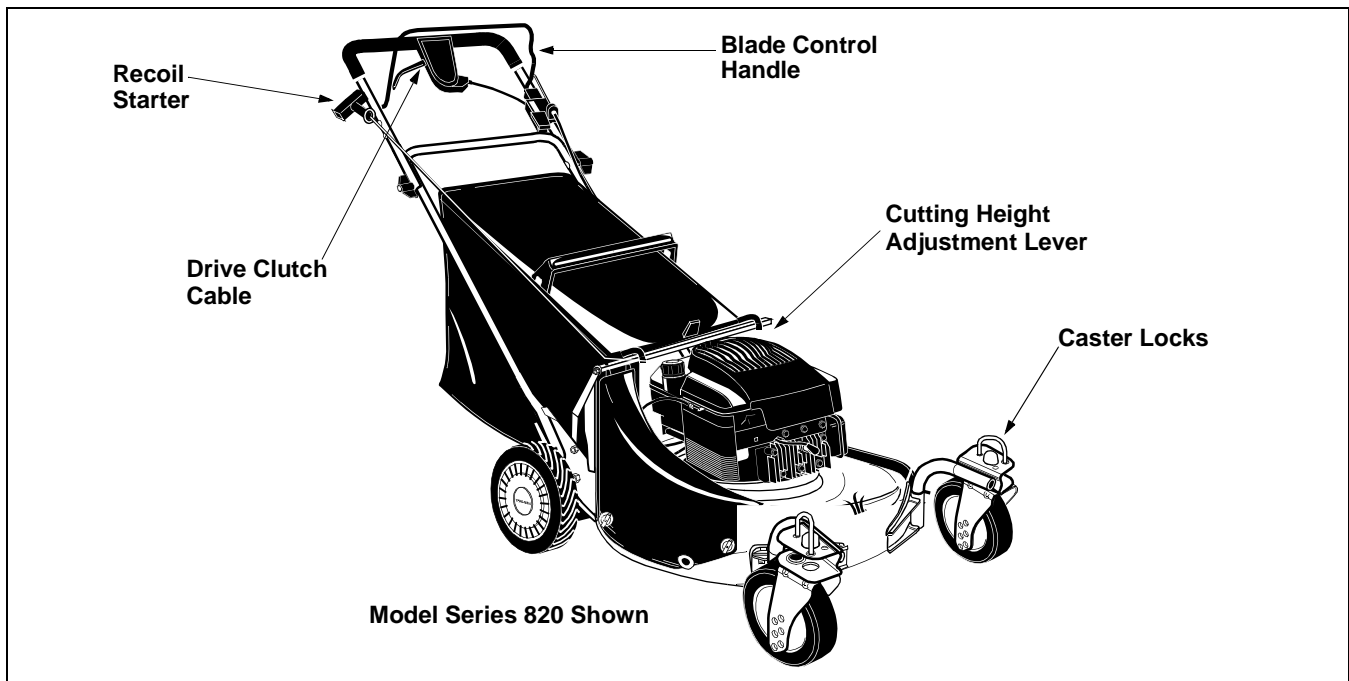


Figure 7

Recoil Starter

The recoil starter is attached to the right lower handle. Stand behind the unit and pull the recoil starter to start the unit. See Figure 7.

Blade Control Handle

The blade control handle is located on the upper handle of the mower. The blade control handle must be depressed in order to operate the unit. Release blade control handle to stop engine and blade. See Figure 7.



WARNING: This blade control mechanism is a safety device. Never attempt to bypass its operations.

Caster Lock



WARNING: When operating mower on hills, front wheels should be locked in the straight ahead position.

The casters can be locked in a straight ahead position or can be left to swivel freely.

- Lift and place the lock pins in the larger holes to lock the wheels for straight-ahead operation.
- Place pins in smaller holes to allow casters to rotate freely for turning.

Cutting Height Adjustment Lever

The cutting height adjustment lever is located above the left rear wheel. To adjust the cutting height, refer to the Adjustment Section in this manual. See Figure 7.

Drive Clutch Control (820 Thru 829)

The drive clutch control is located on the upper handle. Squeeze the drive control to engage the drive system. Release the clutch control to disengage the drive system. Release the clutch control to slow down when approaching an obstacle, making a turn, or stopping. See Figure 7.

Engine Controls

See the separate engine manual for the location and function of the controls on the engine.

Stopping Engine

- Release blade control handle to stop the engine and the blade.
- Disconnect spark plug wire and ground it to the post on the engine.

SECTION 5: OPERATING YOUR LAWN MOWER



WARNING: Keep hands and feet away from chute area on the cutting deck. The operation of any lawn mower can result in foreign objects being thrown into the eyes, which can result in severe eye damage. Always wear safety glasses or eye shields.

NOTE: For shipping purposes your mower is set with the wheels in a low cutting height position. For best results raise the cutting position until it is determined which height is best for your lawn. See the adjustment section for details.

Towards Better Mower Performance

1. Read this manual in its entirety before you start the lawn mower. Instructions given here have been designed for maintaining safety while getting the best performance from your mower. Follow the instructions closely.
2. Pour fresh, clean gasoline into the mower's gas tank until the tank is full. Do not use gasoline that is more than 30 days old.
3. Always use a fuel stabilizer. It will double the life of the gasoline used.
4. Make sure to connect the mower's spark plug wire before trying to start the engine.
5. Add engine oil to the oil fill on the mower engine. Check the dipstick and add more if necessary. Remember that the oil level has to touch the fill line.
6. Locate the primer decal near the primer bulb on the engine, and read its instruction. Using your thumb, press the primer bulb slowly as many times as the decal advises.
7. Set cutting height adjustment lever to middle setting and mow a single pass on your lawn; then adjust to desired height for a closer cut.
8. In heavy growing season, it may be necessary to mow lawn twice weekly. Clumps of grass clippings left behind on the lawn usually means that the grass is too high to mulch.
9. Before storing the lawn mower for the winter, use stabilizer-treated fuel and run the tank dry.
10. Thirty days before start of the new season, check the air filter, spark plug and blade on the lawn mower, and replace if needed.

For more details about proper lawn care, visit our website at www.mtdproducts.com

Gas and Oil Fill-Up

Service the engine with gasoline and oil as instructed in the separate engine manual packed with your mower. Read instructions carefully.



WARNING: Never fill fuel tank indoors with engine running or until the engine has been allowed to cool for at least two minutes after running.

Before Starting Your Mower (Models 820 Thru 829)

- Attach spark plug wire to spark plug. Make certain the metal cap on the end of the spark plug wire is fastened securely over the metal tip on the spark plug.
- Check for proper drive clutch operation using the NEUTRAL ADJUSTMENT TEST.

Neutral Adjustment Test

To perform the neutral adjustment test answer the following questions.

- With the drive clutch control released, push mower forward and pull it backward. Does it move freely?
- Squeeze the drive clutch control and pull the mower backward. Do the rear wheels lock?
- Is the drive clutch control cable free of kinks or sharp bends?
- If you answered "yes" to all three questions, your mower passed the test and you can start your mower.

- If you answered "no" to any of the three questions, you will have to adjust the drive clutch control in the ADJUSTMENT SECTION.

Starting Engine

- Prime engine as instructed in the separate engine manual packed with your unit.
- Your lawn mower is equipped with a constant speed throttle, which is set at full throttle for best performance.
- Stand behind the mower and squeeze the blade control handle against the upper handle.
- Grasp recoil starter handle and pull rope out slowly until engine reaches the start of compression cycle (rope will pull slightly harder at this point).
- Pull rope with a rapid, continuous, full arm stroke. Keeping a firm grip on the starter handle, let the rope return to the starter slowly.



WARNING: Never operate your unit without either the side chute deflector or entire rear discharge chute and grass catcher assembly in place.

Using Your Lawn Mower

Be sure that the lawn is clear of stones, sticks, wire, or other objects which could damage the lawn mower or the engine. Such objects could be accidentally thrown by the mower in any direction and cause serious personal injury to the operator and others.

For best results, do not cut wet grass because it tends to stick to the underside of the mower, preventing

proper discharge of grass clippings, and could cause you to slip and fall. New grass, thick grass, or wet grass may require a narrower cut.

For a healthier lawn, never cut off more than one-third of the total length of the grass. Your lawn should be cut in the fall as long as there is growth. This mower is designed to be operated at full throttle to give you the best cut and do the most effective job of mowing or mulching.



WARNING: If you strike a foreign object, stop the engine. Remove wire from the spark plug, thoroughly inspect the mower for any damage, and repair the damage before restarting and operating the

mower. Extensive vibration of the mower during operation is an indication of damage. The unit should be promptly inspected and repaired.

Mulching

For effective mulching, do not cut wet grass because it tends to stick to the underside of the deck, preventing proper mulching of grass clippings. New or thick grass may require a narrower cut. The ground speed should be adjusted to the condition of the lawn. If mowing has been delayed and the grass has been allowed to grow in excess of 4", mulching is not recommended. Mow using the grass bag to reduce the grass height to 3 1/4" maximum before mulching.

SECTION 6: MAKING ADJUSTMENTS



WARNING: Do not at any time make any adjustments without first stopping engine and disconnecting spark plug wire.

NOTE: All wheels must be placed in the same relative position. For rough or uneven lawns, move the height adjustment lever to a higher position. This will help stop scalping.

Cutting Height Adjustment

The height adjustment handle for the rear wheels is located on the left side of the deck. The handle may be placed in one of the six cutting height positions. Push the handle to the left and then either forward to lower the cutting height or backward to raise the cutting height. See Figure 8.

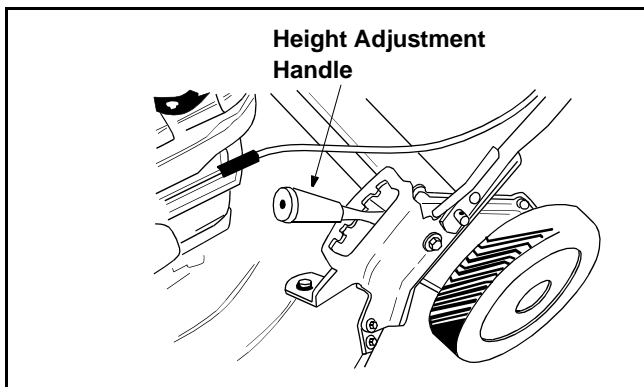


Figure 8

The front wheel cutting height is determined by the selection of one of the six positions in each caster assembly.

- To adjust, remove the wing nut from the axle bolt and slide the axle bolt and spring washer from the assembly and select a cutting height.
- With the spring washer on the axle bolt, insert the axle bolt in the desired square hole and through wheel assembly.
- Secure with wing nut previously removed

Handle Height Adjustment

Your mower is shipped with the handle in the higher height position. To lower the height proceed as follows:

- Remove the starter rope from the rope guide.
- Remove the upper handle by removing the hand knobs and carriage bolts. Lay the upper handle out of the way, being careful not to bend or kink the cables.
- Remove the hairpin clips from the weld pins on the handle brackets. Press out on the legs of the lower handle. Remove lower handle from the mower.
- Turn lower handle around so the notch on the bottom of the lower handle is facing forward. Reassemble, placing the bottom holes in the handle over the weld pins in the handle mounting bracket. See Figure 9.
- Reassemble the upper handle to the lower handle.
- Place the hairpin clips in the inner holes in the weld pins and attach the starter rope as instructed in the Assembly Section.

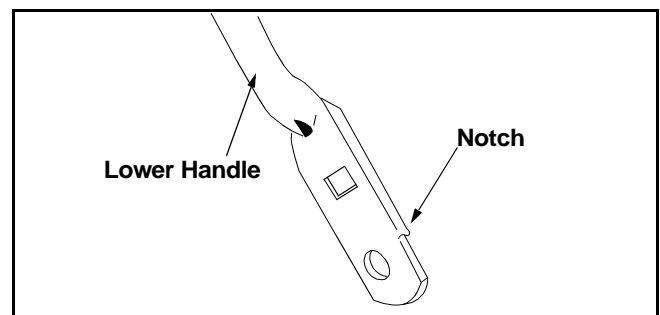


Figure 9

Drive Clutch Control Adjustment (Models 820 Thru 829)

Use the adjustment wheel located on the underside of the clutch control housing to tighten the drive belt, if mower does not self-propel with the drive clutch control engaged, or if drive belt is slipping (unit hesitates while engine maintains the same speed). See Figure 10.

In addition, the adjustment wheel may also be used to determine the position in which the drive clutch control is engaged. If it is more comfortable to have the drive engaged with the lever further away from the handle, tighten the drive belt.

Make certain to retest the unit for neutral as instructed in the Operation Section. Move the adjustment wheel in the opposite direction to loosen the drive belt if necessary.

NOTE: For some people the drive clutch control may not be in a comfortable position. You can adjust the handle out by tightening the adjustment wheel.

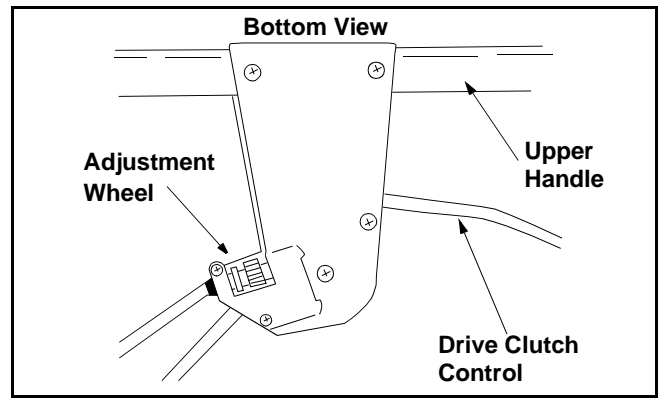


Figure 10

Engine Adjustments

See the separate engine manual packed with your unit for adjustments to the engine.

SECTION 7: MAINTAINING YOUR LAWN MOWER

Customer Responsibilities

MAINTENANCE SCHEDULE								SERVICE DATES					
		After each use	Every 25 hours	Every 50 hours	Every 100 hours	Once a season	Before storage						
PRODUCT	Lubricate wheels					✓							
	Lubricate blade control					✓							
	Lubricate Caster Assembly					✓							
	Blade care		✓				✓						
	Clean deck	✓					✓						
ENGINE	Change oil		✓				✓						
	Replace air filter				✓								
	Clean engine	✓					✓						
	Check spark plug			✓		✓							
	Check spark arrester (if any)			✓									

General Recommendations

- Always observe safety rules when performing any maintenance.
- The warranty on this lawn mower does not cover items that have been subjected to operator abuse or negligence. To receive full value from the warranty, operator must maintain the lawn mower as instructed in this manual.

- Changing of engine governed speed will void engine warranty.
- Some adjustments will have to be made periodically to maintain your unit properly. All adjustments in the Making Adjustments section of this manual should be checked at least once each season.

- Periodically check all fasteners and make sure these are tight.
- Follow the maintenance schedule under Customer Responsibilities to get quality performance from your lawn mower.

Lubrication



WARNING: Always stop engine and disconnect spark plug wire before cleaning, lubricating or doing any kind of service work on the lawn mower.

Blade Control: Lubricate the pivot points on the blade control handle at least once a season with light oil. The blade control must operate freely in both directions. Refer to Figure 7.

Wheels: Lubricate the wheels at least once a season with light oil (or motor oil). If the wheels are removed for any reason, lubricate the surface of the axle bolt and inner surface of the wheel with light oil.

Caster Assembly: Grease fittings are provided for easy lubrication of the swivel pins located on the front caster assembly. Refer to Figure 7.

Engine: Follow the separate engine manual packed with you unit for lubrication instructions.

Maintenance

NOTE: When tipping the unit, empty the fuel tank and keep the spark plug side of engine up. Never tip the mower more than 90 degrees and do not leave the mower tipped for any length of time. Oil can drain into the upper part of the engine causing a starting problem.

Engine

Refer to the separate engine manual for all engine maintenance instructions.

- Maintain engine oil as instructed in the separate engine manual packed with your unit.
- Service air cleaner every 25 hours under normal conditions. Poor engine performance and flooding usually indicate that the air cleaner should be serviced. To service the air cleaner, refer to the separate engine manual packed with your unit.
- The spark plug should be cleaned and the gap reset once a season. Spark plug replacement is recommended at the start of each mowing season.
- Clean the engine regularly with a cloth or brush. Keep the cooling system (blower housing area) clean to permit proper air circulation which is essential to engine performance and life. Be certain to remove all grass, dirt, and combustible debris from muffler area.

Deck

The underside of the mower deck should be cleaned after each use to prevent a buildup of grass clippings, leaves, dirt, or other matter. If this debris is allowed to

accumulate, it will invite rust and corrosion, and may prevent proper mulching, discharge, or bagging. The deck may be cleaned by tilting the mower and scraping clean with a suitable tool (make certain the spark plug wire is disconnected).

IMPORTANT: We do not recommend the use of a pressure washer or garden hose to clean your unit. The use of water will result in shorten life and reduce serviceability.

Cutting Blade Removal, Replacement, and Sharpening

- When removing the cutting blade for sharpening or replacement, protect your hands with a pair of heavy gloves or use a heavy rag to hold the blade.
- Remove the bolt and the blade bell support which hold the blade and the blade adapter to the engine crankshaft. See Figure 11.
- Remove the blade and the adapter from the crankshaft.



WARNING: Periodically inspect the blade adapter for cracks, especially if you strike a foreign object. Replace when necessary.

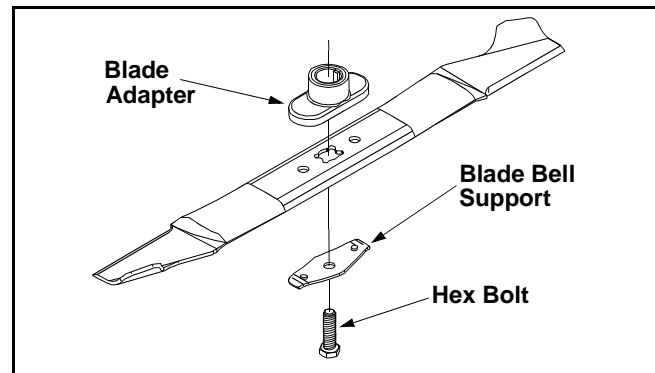


Figure 11

When sharpening the blade, follow the original angle of grind as a guide. It is extremely important that each cutting edge receives an equal amount of grinding to prevent an unbalanced blade. An unbalanced blade will cause excessive vibration when rotating at high speeds. It may cause damage to the mower, and could break causing personal injury.

The blade can be tested by balancing it on a round shaft screwdriver. Remove metal from the heavy side until it balances evenly. It is recommended that the blade always be removed from the adapter when testing for balance. Before reinstalling the blade and the blade adapter to the unit, lubricate the engine crankshaft and the inner surface of the blade adapter with light oil.

- Be sure to install the blade with the side of the blade marked "Bottom" (or with part number) facing the ground when the mower is in the operating position.

- Slide the blade adapter onto the engine crankshaft.
- Place the blade on the adapter. Be certain the blade is aligned and seated on the blade adapter flanges.
- Place blade bell support on blade. Make sure the notches on the blade bell support are aligned with small holes in the blade.
- Replace hex bolt and tighten hex bolt to torque: 450 in. lbs. min., 600 in. lbs. max.

NOTE: To ensure safe operation of your mower, the blade bolt must be checked periodically for correct torque.

Drive Belt Removal and Replacement (Models 820 Thru 829)

- Disconnect the spark plug wire and ground it against the engine.
- Drain the fuel tank or place a piece of plastic beneath the cap to prevent gasoline leakage.
- Remove the grass bag, rear discharge chute assembly, and catcher panel.
- Remove the transmission belt cover by removing three bolts. See Figure 12.

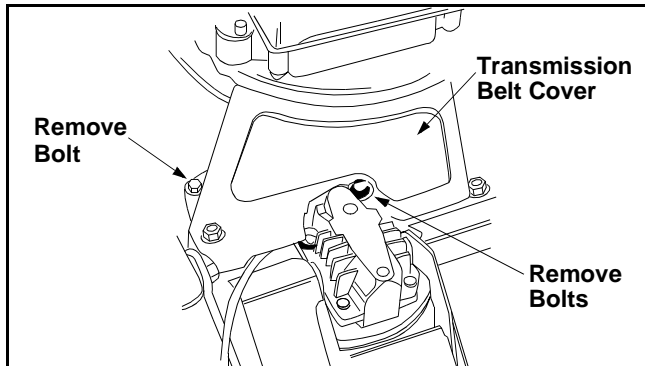


Figure 12

- Tip the mower on its side and block securely.
- Remove the belt guard under the deck by removing two self-tapping screws. See Figure 13.

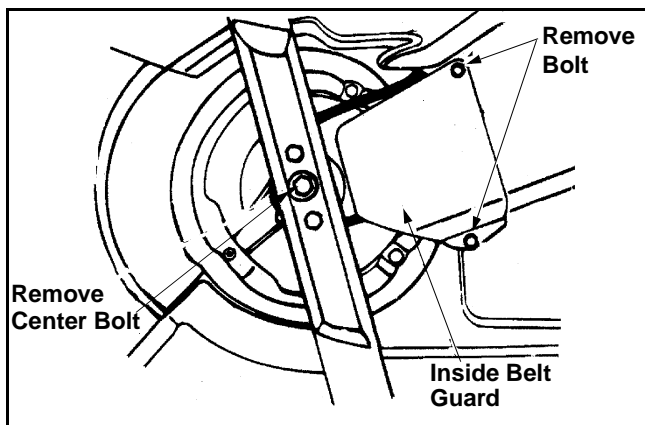


Figure 13

- Loosen the bolt which secures the idler pulley so you can remove the belt from between the idler pulley and the belt guard on the idler pulley bracket. See Figure 14.

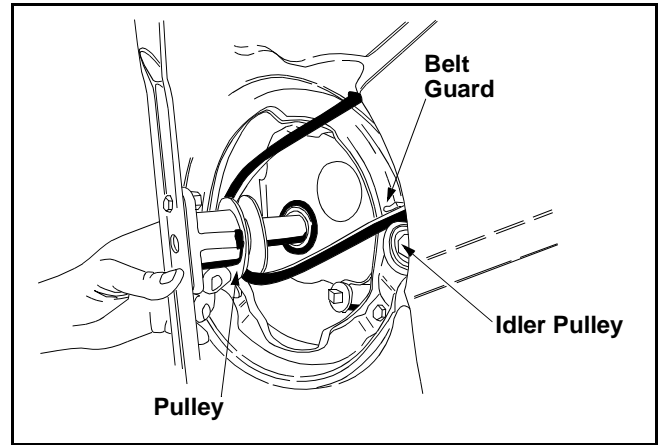


Figure 14

- Remove the belt from the transmission pulley by pulling it underneath the pulley.
- Remove the belt from around the blade.

NOTE: Before reassembling, you should remove the idler pulley from the idler bracket to clean and grease the needle bearing inside the pulley using an all-purpose grease. When reassembling, cupped side of washer must be against the idler bracket.

- Reassemble new belt following the previous instructions in reverse order.
- When reassembling the transmission belt cover, be certain the belt guard on the transmission cover is approximately 1/8" away from the belt.
- Make certain to tighten all nuts and bolts securely.

Storing your Lawn Mower

The following steps should be taken to prepare your lawn mower for storage.

- Clean and lubricate mower thoroughly as described in the lubrication instructions.

IMPORTANT: We do not recommend the use of a pressure washer or garden hose to clean your unit.

- Refer to engine manual for correct engine storage instructions.
- Coat mower's cutting blade with chassis grease to prevent rusting.
- Store mower in a dry, clean area. Do not store next to corrosive materials, such as fertilizer.

NOTE: When storing any type of power equipment in a poorly ventilated or metal storage shed, care should be taken to rust-proof the equipment. Using a light oil or silicone, coat the equipment, especially cables and all moving parts.

SECTION 8: TROUBLESHOOTING

Problem	Cause	Remedy
Engine fails to start	<ol style="list-style-type: none"> 1. Blade control handle disengaged. 2. Spark plug wire disconnected. 3. Fuel tank empty or stale fuel. 4. Blocked fuel line. 5. Faulty spark plug. 6. Engine flooded 	<ol style="list-style-type: none"> 1. Engage blade control handle. 2. Connect wire to spark plug. 3. Fill tank with clean, fresh gasoline. 4. Clean fuel line. 5. Clean, adjust gap, or replace. 6. Crank engine with throttle in FAST position.
Engine runs erratic	<ol style="list-style-type: none"> 1. Spark plug wire loose. 2. Blocked fuel line or stale fuel. 3. Vent in gas plugged. 4. Water or dirt in fuel system. 5. Dirty air cleaner. 6. Carburetor out of adjustment. 	<ol style="list-style-type: none"> 1. Connect and tighten spark plug wire. 2. Clean fuel line; fill tank with clean, fresh gasoline 3. Clear vent. 4. Drain fuel tank. Refill with fresh fuel. 5. Clean air cleaner. 6. Adjust carburetor.
Engine overheats	<ol style="list-style-type: none"> 1. Engine oil level low. 2. Air flow restricted. 3. Carburetor not adjusted properly. 	<ol style="list-style-type: none"> 1. Fill crankcase with proper oil. 2. Remove blower housing and clean. 3. Adjust carburetor.
Occasional skip (hesitates) at high speed	<ol style="list-style-type: none"> 1. Spark plug gap too close. 	<ol style="list-style-type: none"> 1. Adjust gap to .030".
Idles poorly	<ol style="list-style-type: none"> 1. Spark plug fouled, faulty or gap too wide. 2. Carburetor improperly adjusted. 3. Dirty air cleaner. 	<ol style="list-style-type: none"> 1. Reset gap to .030" or replace spark plug. 2. Adjust carburetor. 3. Clean air cleaner.
Excessive vibration	<ol style="list-style-type: none"> 1. Cutting blade loose or unbalanced. 2. Bent cutting blade. 	<ol style="list-style-type: none"> 1. Tighten blade and adapter. Balance blade. 2. Replace blade.
Mower will not mulch grass	<ol style="list-style-type: none"> 1. Engine speed too low. 2. Wet grass. 3. Excessively high grass. 4. Dull blade. 	<ol style="list-style-type: none"> 1. Set throttle between 3/4 and full throttle. 2. Do not mow when grass is wet; wait until later to cut. 3. Mow once at a high cutting height, then mow again at desired height or make a narrower cutting path. 4. Sharpen or replace blade.
Uneven cut	<ol style="list-style-type: none"> 1. Wheels not positioned correctly. 2. Dull blade. 	<ol style="list-style-type: none"> 1. Place all four wheels in same height position. 2. Sharpen or replace blade.
Wheels will not propel (Models 820 thru 829)	<ol style="list-style-type: none"> 1. Belt not installed properly. 2. Debris clogging mechanism. 	<ol style="list-style-type: none"> 1. Check belt for proper pulley installation. 2. Clean out debris.

NOTE: For repairs beyond the minor adjustments listed above, contact your nearest authorized service dealer.

Model Series 810 Thru 829

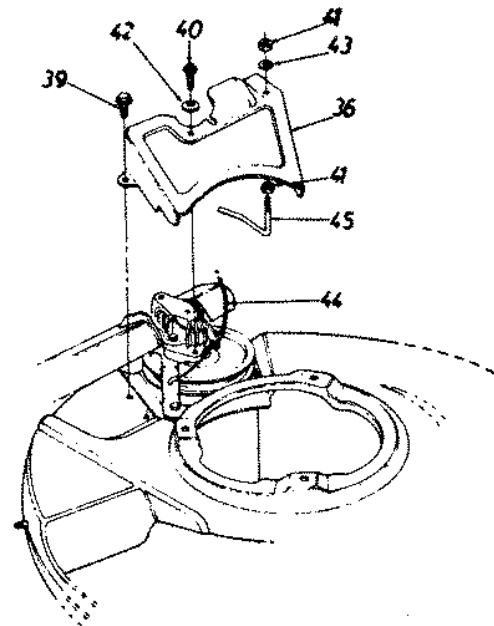
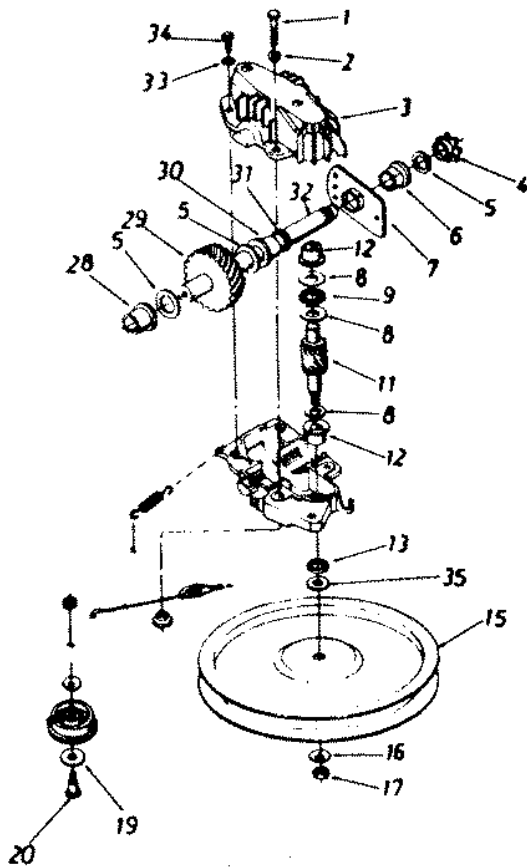
REF. NO.	PART NO.	DESCRIPTION	REF. NO.	PART NO.	DESCRIPTION
1.	720-0294	Foam Handle	51.	731-1488	Rear Flap †
2.	747-0824	Control Lever	52.	726-0240	Cable Tie
3.	731-1023	Rear Discharge Chute Ass'y	53.	751B213146	Cable Clamp
4.	710-0605	Oval C-Sunk Screw (If Equipped)	54.	710-1025	Hex Screw #12 x 1.25"
5.	646-0875	Throttle Body (If Equipped)	55.	753-0609	Blade Adapter Kit
6.	736-0501	Spring Washer .66" (If Equipped)	56.	742-0641	21" Standard Blade
7.	712-0324	Hex L-Nut 1/4-20 (If Equipped)		742-0741	21" Mulching Blade
8.	746-0876	Throttle Lever (If Equipped)	57.	731-0564	Mulching Plug
9.	710-1205	Rope Guide	58.	736-0524A	Blade Bell Support
10.	720-0279	Wing Nut 1/4-20	59.	710-1044	Hex Bolt 3/8-24 x 1.5"
11.	731-1426	Hub Cap Spoke	60.	741-0685	Flange Bearing
12.	710-0896	Truss Machine Screw 1/4-14 x .625	61.	748-0190	Spacer .513" ID x .69" †
13.	736-0258	Flat Washer .383" ID x 1" OD	62.	736-0366	Flat Washer 5/8 ID x 1.0 OD
14.	749-0439C	Upper Handle †	64.	16136C	RH Handle Wheel Bracket Ass'y
	749-0438B	Upper handle ††	65.	682-0532	LH Handle Wheel Bracket Ass'y
15.	16129A	Panel Support Bracket	66.	710-0260	Carriage Bolt 5/16-18 x .62"
16.	16862	Rear Catcher Panel Ass'y	67.	710-0603	Hex Tap Screw 5/16-18
17.	17095A	Rear Discharge Door	68.	710-0654A	Hex Tap Screw 3/8-16
18.	731-1886	Hub Cap Spoke w/Hole	69.	712-0267	Hex Nut 5/16-18
19.	732-0483A	Torsion Spring	70.	720-0223	Grip
20.	747-0514	Pivot Pin	71.	732-0606	Height Adjuster Lever
21.	710-0134	Carriage Bolt 1/4-20 x .62"	72.	746-0883	Throttle Housing w/o Lever
22.	710-0924	Truss Machine Screw 1/4-20 x .75"	73.	736-0242	Bell Washer 5/16"
23.	747-0924	Lock Pin	74.	750-0736	Spacer
24.	738-0704	Shoulder Bolt .312 x .18	75.	750-0624	Shoulder Spacer .50"
25.	710-0751	Hex Bolt 1/4-20 x .62"	76.	719-0279	Rope Guide
26.	712-0287	Hex Nut 1/4-20	77.	726-0233	Bolt Retainer
27.	736-0270	Bell Washer 1/4" †	78.	734-1857	Front Wheel Ass'y Comp
28.	736-0329	Lock Washer 1/4"	79.	741-0486B	Bearing 1/2" ID
29.	747-0705	Front Grass Catcher Frame	80.	738-0137	Shoulder Screw
30.	722-0139	Foam Strip	81.	748-0188B	Pawl
31.	731-1059	SP Control Cover †	82.	734-2005	Rear Wheel Ass'y Comp †
32.	726-0214	Push Cap		734-2004	Rear Wheel Ass'y Comp ††
33.	712-0397	Wing Nut w/ Washer	83.	726-0175	Clamp
34.	746-0674	Throttle Control Wire 61"	84.	736-0514	Flat Washer †
35.	749-0907A	Lower Handle	85.	736-0513	Spring Washer .89" ID †
36.	682-9021A	Caster Ass'y LH	86.	748-0358	Crankshaft Spacer †
	682-9020A	Caster Ass'y RH	87.	731-0880	Panel Clip
37.	710-1237	Hex Tap Screw #10-32 x .62"	88.	712-0414	Weld L-Nut 1/4-20
38.	664-0082	Grass Bag	89.	710-1270	Screw 1/4-20 x 20
39.	712-0397	Wing Nut	90.	714-0104	Cotter Pin
40.	682-9026	Caster Bracket Ass'y LH	91.	720-0314	Hand Knob
	682-9024	Caster Bracket Ass'y RH	92.	756-0962	Pulley Half-Upper †
41.	736-0204	Flat Washer .344" ID x .62"	93.	756-0961	Pulley Half-Lower †
42.	17055B	Chain - Axle Ass'y †	94.	710-0578	Machine Screw 1/4-20
43.	710-0352	Hex Tap Screw 1/4" x .38"	95.	746-0710A	Drive Cable †
44.	736-0232	Wave Washer	96.	754-0343	V-Belt †
45.	710-0776A	Hex Tap Screw 1/4 x .62"	97.	712-0271	Sems Nut 1/4-20
46.	711-1146	Caster Axle	98.	731-0801	Bag Handle
47.	712-0296	Hex Lock Nut 3/8-24 †	100.	714-0104	Hairpin Clip
48.	713-0353	#48 Chain .500" Pitch x 30 Links †	102.	782-0098	21" Deck †
49.	737-3000	Lube Fitting		782-0112	21" Deck ††
50.	736-0931	Flat Washer	106.	711-0313	Sleeve

REF. NO.	PART NO.	DESCRIPTION	REF. NO.	PART NO.	DESCRIPTION
107.	736-0264	Flat Washer .330 ID x .630 OD	133.	731-0884	Side Chute Deflector Ass'y
108.	732-0306	Compression Spring	134.	741-0522	Hex Flange Bearing †
109.	710-0260	Carriage Bolt 5/16-18 x .62	135.	811-00185	Throttle Box Comp (If Equipped)
110.	712-3004A	Flange Lock Nut 5/16-18	136.	10622B	Nylon Spring †
114.	731-1057	SP Control Cover †	138.	17053A	Chain Cover †
115.	731-1058	SP Control Cover †	140.	710-0599	Hex Tap Screw 1/4-20 x .50" †
116.	731-0620	Control Lever †	144.	736-0300	Flat Washer †
117.	720-0190	Door Grip	147.	738-0719A	Rear Shaft Ass'y †
118.	710-1667A	C Sunk Tap Screw #10-16 x .625 †	148.	741-0324	Hex Flange Bearing .506" ID †
119.	16855	Pawl Plate	149.	736-0160	Flat Washer .531" x .930" †
121.	710-1174	Curved Carriage Bolt 5/16-18 x 2"	152.	710-0751	Hex Bolt 1/4-20 x .62
122.	711-0805	Shoulder Pin 3/8-24 x 1.43"	153.	618-0055	Transmission Comp †
123.	736-0169	Lock Washer 3/8" ID	154.	16500A	Hex Bearing Cup
129.	746-0922	Control Cable	155.	710-0429	Hex Tap Screw #10 x .38
130.	748-0318	Ratchet Wheel 1.62" OD †	161.	749-0764A	Rear Catcher Frame
131.	714-0115	Cotter Pin †	163.	710-0352	Hex Tap Screw 1/4 x .38"
132.	712-0711	Hex Jam Nut 3/8-24	164.	782-7555	Mulching Baffle

† Models 820 Thru 829

†† Models 810 Thru 819

Model Series 820 Thru 829



REF. NO.	PART NO.	DESCRIPTION	REF. NO.	PART NO.	DESCRIPTION
1.	710-1062	Hex Bolt w/Patch 1/4-20 x 1.25"	24.	782-7570	Idler Bracket Ass'y
2.	726-0329	L-Washer 1/4" ID	25.	712-0138	Hex Lock Nut 1/4-28
3.	717-0418A	Upper Housing Half	26.	732-0357A	Extension Spring 1.12"
4.	713-0400	#48 Sprocket 7 Tooth x 1/2 Pitch	27.	717-0419B	Lower Housing Half
5.	736-0336	Flat Washer 5/8" ID x .030 OD	28.	741-0415	Flange Bearing .56"
6.	741-0413	Hex Flange Bearing .631" ID	29.	717-0422A	33 Tooth Helical Gear
7.	16500A	Hex Bearing Cup	30.	741-0414	Flange Bearing .629"
8.	736-0314	Thrust Washer .382" ID x .70" OD	31.	721-0213	Oil Seal .625"
9.	741-0479	Thrust Bearing .375" ID x .812" OD	32.	738-0607B	Gear Sprocket Shaft
10.	782-7569	Belt Keeper	33.	736-0722	Lock Washer #10
11.	717-1216	11 Tooth Helical Gear	34.	710-0436	Hex Tap Screw #10 x .62"
12.	748-0208A	Flange Bearing	35.	736-0410	Hex Washer .26" x .88"
13.	721-0212	Oil Seal	36.	17718	Transmission belt Guard
15.	756-0330A	Pulley 5.06" ID	39.	710-0599	Hex Tap Screw 1/4 x .50"
16.	736-0270	Bell Washer .265" ID x .75" OD	40.	710-0896	Hex Tap Screw 1/4 x .62"
17.	712-0351	Hex Nut 1/4-28 LH Thread	41.	712-0287	Hex Nut 1/4-20
18.	738-0440	Shoulder Spacer .375"	42.	736-0270	Bell Washer .265" ID x .75"
19.	736-0344	Flat Washer .390" ID x 1.0" OD	43.	736-0329	Lock Washer 1/4" ID
20.	738-0826	Shoulder Bolt .375" x .40"	44.	746-0710A	SP Cable - 48"
21.	756-0558	Idler Pulley 1.50"	45.	747-0549	SP Belt Guard
22.	741-0556	Needle Bearing .375" x .31"	618-0055		Transmission Complete
23.	736-0270	Bell Washer .265" ID x .75"			

MANUFACTURER'S LIMITED WARRANTY FOR:



The limited warranty set forth below is given by MTD PRODUCTS INC ("MTD") with respect to new merchandise purchased and used in the United States, its possessions and territories.

MTD warrants this product against defects in material and workmanship for a period of two (2) years commencing on the date of original purchase and will, at its option, repair or replace, free of charge, any part found to be defective in material or workmanship. This limited warranty shall only apply if this product has been operated and maintained in accordance with the Operator's Manual furnished with the product, and has not been subject to misuse, abuse, commercial use, neglect, accident, improper maintenance, alteration, vandalism, theft, fire, water or damage because of other peril or natural disaster. Damage resulting from the installation or use of any accessory or attachment not approved by MTD Products Inc. for use with the product(s) covered by this manual will void your warranty as to any resulting damages.

Normal wear parts or components thereof are subject to separate terms as follows: All normal wear part or component failures will be covered on the product for a period of 90 days regardless of cause. After 90 days, but within the two year period, normal wear part failures will be covered ONLY IF caused by defects in material or workmanship of OTHER component parts. Normal wear parts and components include, but are not limited to, belts, blades, blade adapters, grass bags, rider deck wheels, seats, snow thrower skid shoes, shave plates and tires. Batteries are covered by a 90-day limited replacement warranty.

HOW TO OBTAIN SERVICE: Warranty service is available, WITH PROOF OF PURCHASE THROUGH YOUR LOCAL AUTHORIZED SERVICE DEALER. To locate the dealer in your area, please check for a listing in the Yellow Pages or contact the Customer Service Department of MTD PRODUCTS INC by calling 1-800-800-7310 or writing to P.O. Box 368022, Cleveland, Ohio 44136-9722.

This limited warranty does not provide coverage in the following cases:

- a. The engine or component parts thereof. These items carry a separate manufacturer's warranty. Please refer to the applicable manufacturer's warranty on these items.
- b. Log splitter pumps, valves and cylinders have a separate one year warranty.

- c. Routine maintenance items such as lubricants, filters, blade sharpening and tune-ups, or adjustments such as brake adjustments, clutch adjustments or deck adjustments; and normal deterioration of the exterior finish due to use or exposure.
- d. MTD does not extend any warranty for products sold or exported outside of the United States of America, its possessions and territories, except those sold through MTD's authorized channels of export distribution.

No implied warranty, including any implied warranty of merchantability or fitness for a particular purpose, applies after the applicable period of express written warranty above as to the parts as identified. No other express warranty or guaranty, whether written or oral, except as mentioned above, given by any person or entity, including a dealer or retailer, with respect to any product shall bind MTD. During the period of the Warranty, the exclusive remedy is repair or replacement of the product as set forth above. (Some states do not allow limitations on how long an implied warranty lasts, so the above limitation may not apply to you.)

The provisions as set forth in this Warranty provide the sole and exclusive remedy arising from the sales. MTD shall not be liable for incidental or consequential loss or damages including, without limitation, expenses incurred for substitute or replacement lawn care services, for transportation or for related expenses, or for rental expenses to temporarily replace a warranted product. (Some states do not allow the exclusion or limitation of incidental or consequential damages, so the above exclusion or limitation may not apply to you.)

In no event shall recovery of any kind be greater than the amount of the purchase price of the product sold. Alteration of the safety features of the product shall void this Warranty. You assume the risk and liability for loss, damage, or injury to you and your property and/or to others and their property arising out of the use or misuse or inability to use the product.

This limited warranty shall not extend to anyone other than the original purchaser, original lessee or the person for whom it was purchased as a gift.

How State Law Relates to this Warranty: This limited warranty gives you specific legal rights, and you may also have other rights which vary from state to state.